



## **EUW 4 3-phase undervoltage relay**

in installation box implementation housing width 35mm  
snap-on-version to DIN-rail

### **Performance data:**

- undervoltage release for each phase individual
- switching threshold individually adjustable between 3 x 270 ... 400V 50/60Hz
- monitoring of asymmetries, phase fail and neutral wire interruption
- relay contacts as potential free, double changeover contact element
- functional indication by green LED
- no auxiliary supply required
- for the automatically switch on of security lightning acc. to VDE 0108
- only for mains with neutral wirings or star point

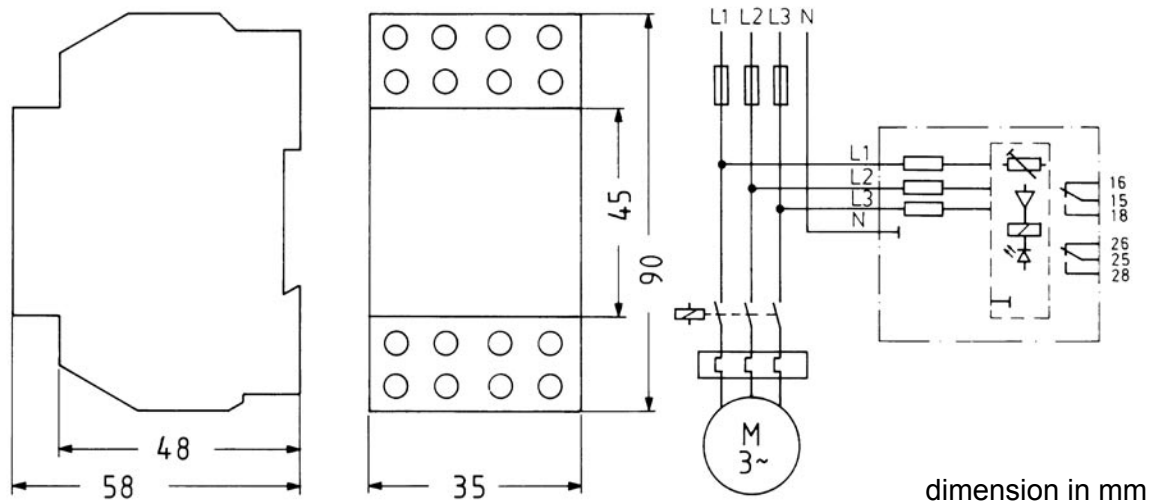
## Technical description

The device has a width of 35mm and is suitable for mounting in an installation box. The threshold can be adjusted by a front side potentiometer in the range between 3 x 270 ... 400V AC. Each single phase is monitored, so that not only the average value, but the real asymmetric or even phase fail can be recognized. Also, the neutral wire interruption is being monitored. The output relay with 2 changeover contacts attracts in a normal situation; the green LED lights up. In a faulty situation, the relay drops. In order to avoid fluttering during the switch on procedures, the threshold is performed with a middle hysteresis of approx. 4%. In order to suppress short time voltage drops, for example when running up a motor, the switch on delay is fixed on approx. 150ms.

## Technical data

Measuring and Supply voltage	3 x 270 ... 420V 50/60Hz
Measuring voltage range	3 x 270 ... 400V adjustable
Switching point tolerance	approx. 2%
Threshold of hysteresis	approx. 4%
Power consumption	approx. 1,4VA
Switch on delay	approx. 150ms
Ambient temperature	-20°C ... +50°C without condensation
Relative humidity	max. 75% mean (Gr. F DIN 40040)
Load of relay contacts	24V AC/DC or 250V AC 4A
Weight	approx. 0,2kg

Special voltages on request.



Subject to technical changes without prior notice.



HOTLINE  
07191/182-235  
-214



INTERNET  
[www.ees-online.de](http://www.ees-online.de)



**Elektra Elektronik GmbH & Co Störcontroller KG**  
Hummelbühl 7-9 • D-71522 Backnang/Germany • P.O.Box 12 40 • D-71502 Backnang  
Telephone: +49(0)7191/182-0 • Telefax: +49(0)7191/182-200 • e-mail: [info@ees-online.de](mailto:info@ees-online.de)