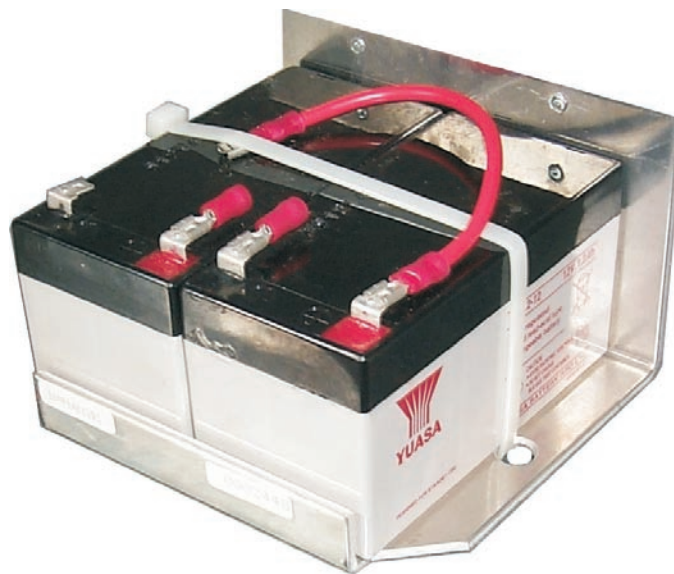


Accessory

for battery charger

www.ees-online.de

— info



Lead accumulators for battery boosters
for mounting on a DIN-rail or on a mounting plate

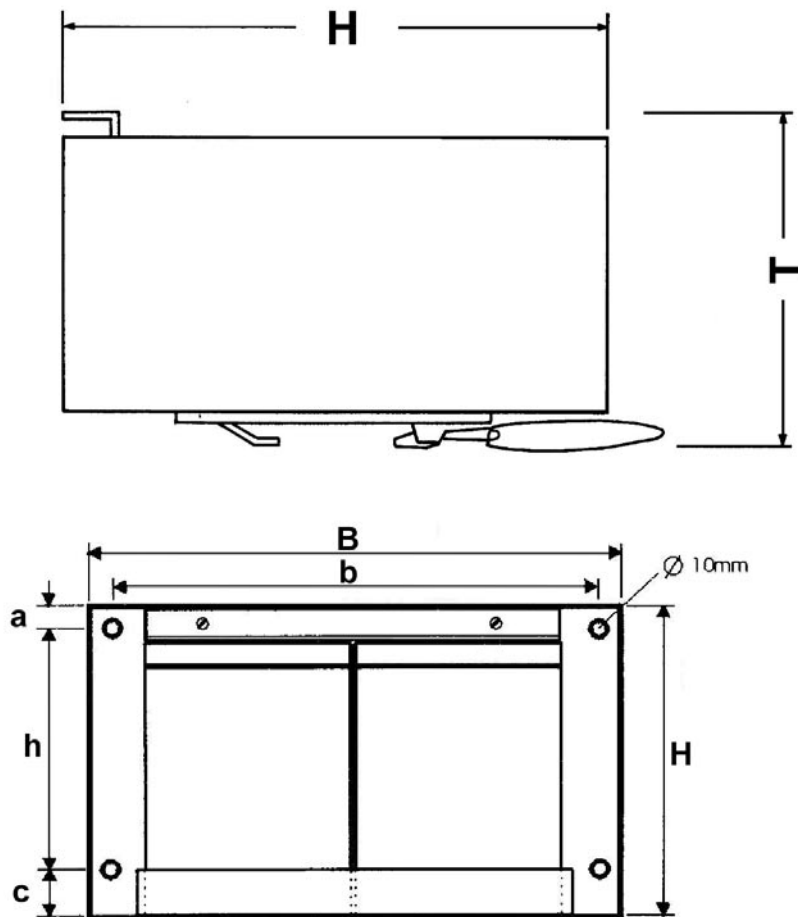
Performance data

- Accumulator pack for 12V and 24V
- 1.2 – 38Ah
- maintenance-free

Technical Data:

Voltage	Capacity	H	h	a	c	B	b	T	Mounting
12V	1.2Ah	72				67		112	DIN-rail
24V	1.2Ah	72				115		112	DIN-rail
12V	3.0Ah	151				67		75	DIN-rail
12V	7Ah	151				67		109	DIN-rail
24V	12Ah	135	85	15	30	250	230	160	Mounting plate
12V	24Ah	175	120	15	40	220	200	180	Mounting plate
12V	38Ah	205	145	15	45	250	225	170	Mounting plate

NiCd-accumulators and batteries with higher capacity on request.



Dimensions in mm

The right to make technical changes is reserved



HOTLINE
+49(0)7191/182-235
-214



INTERNET
www.ees-online.de

EES **Elektra Elektronik GmbH & Co Störcontroller KG**
 Hummelbühl 7-9 • D-71522 Backnang/Germany • P.O. Box 12 40 • D-71502 Backnang
 Phone: +49(0)7191/182-0 • Fax: +49(0)7191/182-200 • e-Mail: info@ees-online.de