

Industrial Weatherproof Telephone

FernTel 3000

Weatherproof telephone for outdoor applications

Wall and
desk mounting

- Anti – corrosive housing
- Robust and weather resistant: NEMA 4X / IP 66
- Sealed keypad to keep out dust, dirt and moisture
- Handset retaining mechanism
- Operating temperature: +14° F to +122° F
-10° C to +50° C
- Receiver volume can be boosted by 6 or 12 dB (A)
- DTMF / Pulse dialling

Optionen

- Housing color:
Cover in yellow or black
- Display



Certification

UL Registration Number
E209659

FCC Registration Number
6SH Ger-35065-TF-E

Ringer Equivalence
REN 0,9 B

UL listed
and FCC
approved



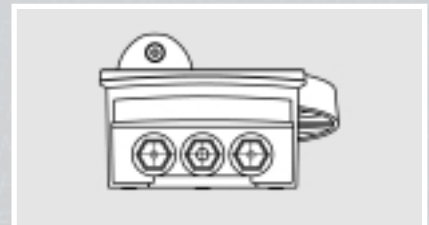
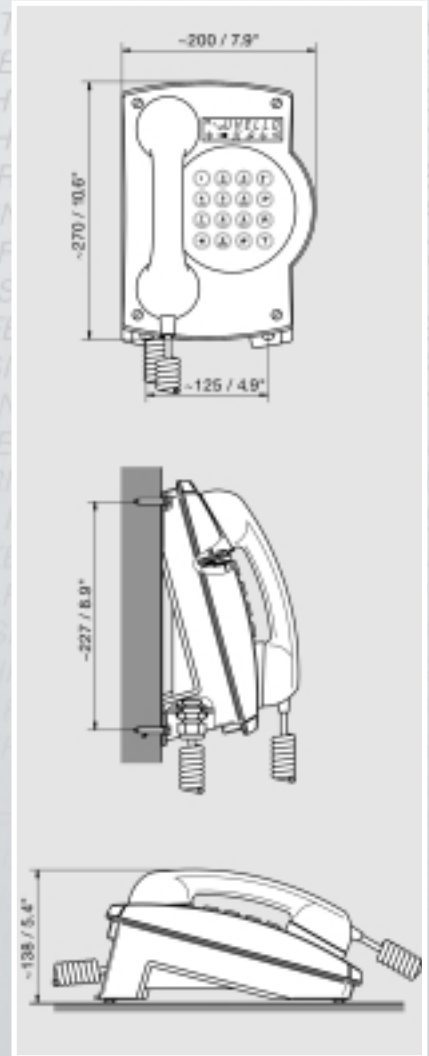
FHF

FUNKE+HUSTER-FERNSIG



Protecting People

Technical data

FCC Registration Number	6SH GER-35065-TF-E	
UL Registration Number	E209659	
Ringer Equivalency Number	REN 0,9B	
Connecting data		
Line voltage	24 ... 66 V _{DC}	
Line current	18 ... 100 mA	
Ringing alternating current	30 ... 150 V _{AC}	
Ringing frequency	16,67 ... 54 Hz	
Input impedance	≥ 6,0 Ω bei 25 Hz	
	≥ 3,5 Ω bei 50 Hz	
Earth function	Line Tip to Signal Earth available	
Pulse dialing (PD)	Dialing frequency	10 Hz
	Pulse/pause ratio	2,0 : 1 66,7/33,3 ms 1,5 : 1 60,0/40,0 ms
Dual-tone multifrequency (DTMF)	-6 dB power level of the low group	
CCITT Q23	-4 dB power level of the high group	
Ringing sound pressure level approx.	96 dB (A) at 1 m / 3,3 ft	
Housing		
Material	Polycarbonat UL 94V-5A	
Height x Width x Depth approx.	380 x 240 x 148 mm/10,63 x 7,87 x 5,43 in	
Weight approx.	3,6 kg / 8,1 lbs	
Display	16 digits, digit height 11mm, pictograms	
Operating position	Desktop or vertical wall mounting	
Handset (receiver)		
Microphone	Electret condenser	
Receiver inset	Dynamic receiver inset, meets hearing aid compatibility technical standards per FCC Section 68.316	
Connections		
Network connection (USOC)	Connectors up to 2,5 mm ² / AWG 14 Tip / Ring	
Secondary sounder/Second Ringer		
Signaling at private branch exchanges	Signal Earth	
Ringing loudspeaker	permanently connected	
Environmental conditions		
Ambient operation temperatures	-10° to +50° C / +14° to 122° F	
Transport and storage temperatures	-20° to +60° C / -4° to 140° F	
Humidity	90% non-condensing	
Degree of protection	IP 66 (IEC 529)/ Type 4X Enclosure (UL 50)	



Order details

Type	Description	Version	Part no.
WTS 100	Wall/Desk telephone	with Display  black cover	112 710 40
WTS 100	Wall/Desk telephone	with Display  yellow cover	112 710 41



FHF Funke + Huster Fernsig GmbH

P. O. Box 100305 · D-42503 Velbert · Germany
 Telephone +49/2051/270-0 · Telefax +49/2051/270-377
<http://www.fhfcom.com> · e-mail: info@fhf.de