

TIW(E)



TIW(E)S



Telephone Indoor Bell TIW(E), TIW(E)S

**Electronic AC bell
for use as auxiliary equipment
in private branch exchanges**

- ▶ Surface and flush-mounting versions
- ▶ Volume control
- ▶ Volume approx. 92 dB(A)
- ▶ Optical signalling by LED
- ▶ Possibility of connecting a telephone with TAE plug

Application

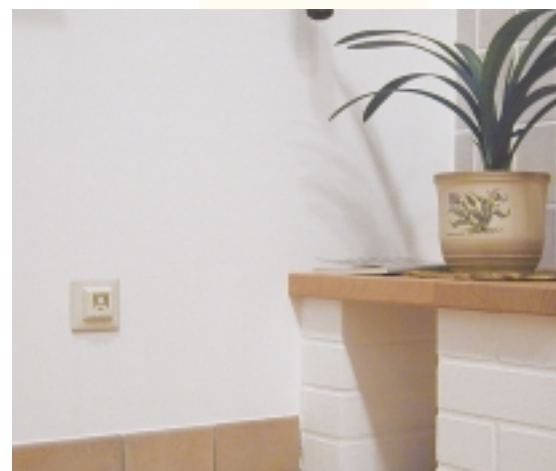
The bells are intended for use as additional acoustic and optical signalling devices in private branch exchanges in offices, hospitals, department stores and other areas in which no particular demands are made on IP protection. The TIWS version allows a telephone with a TAE plug to be connected.

Design

The TIW and TIWS telephone indoor bells consist of a plastic housing and are available as surface and flush-mounting versions. These auxiliary bells enable additional acoustic and optical announcement of incoming telephone calls.

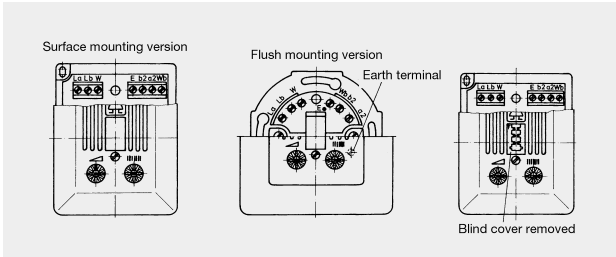
**TIW:
additional tele-
phone bell
for private use**

The TIWS version allows a telephone with a TAE plug to be connected.

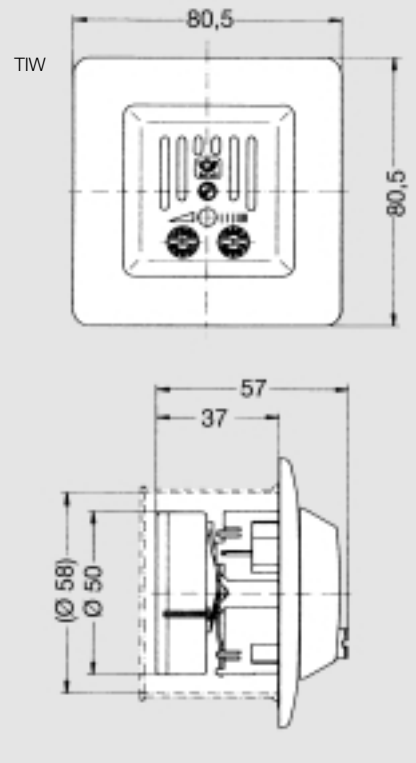


Technical specifications

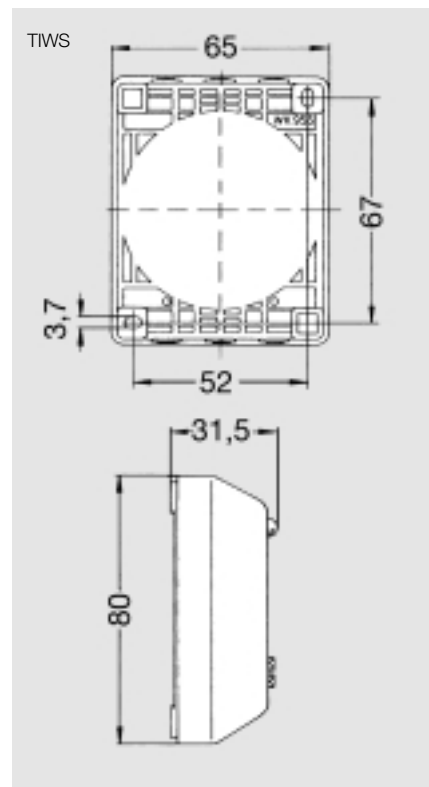
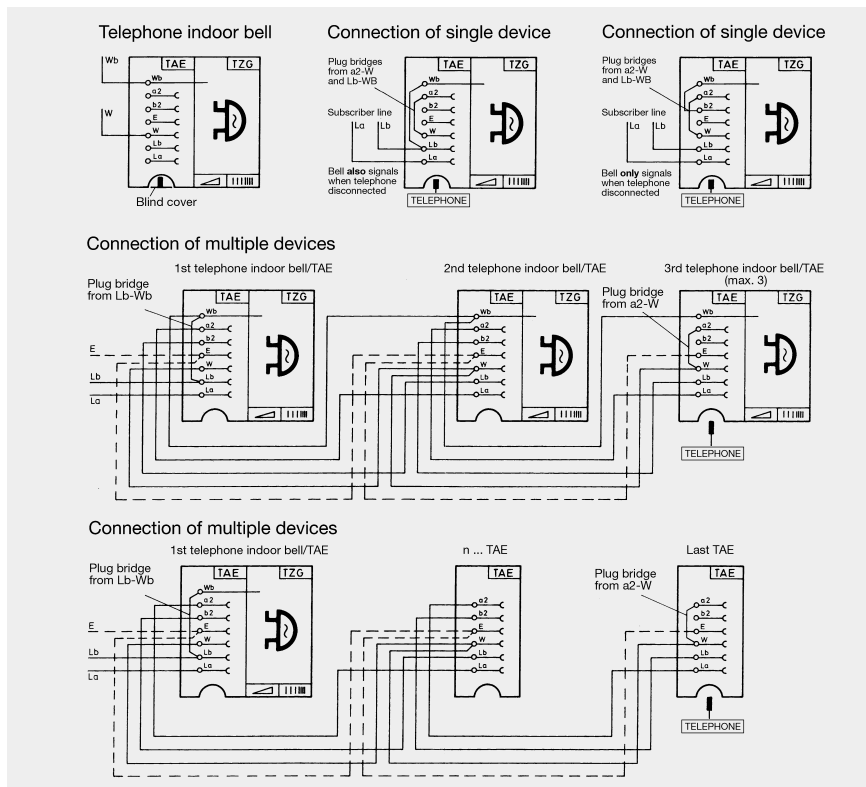
Housing	Plastic
Colour	White
Volume	Approx. 92 dB(A) (Regarding volume specifications, please see the chapter "Technical Informations".)
Volume control	Volume can be reduced by at least 30 dB(A) with an adjustment wheel
Sound frequency	Three-tone sequence call 800 Hz, 1067 Hz, 1333 Hz
Sequence speed	Adjustable 2.5–25 Hz



Note:
The telephone indoor bells TIW.. are intended for additional signalling of incoming calls on subscriber line.



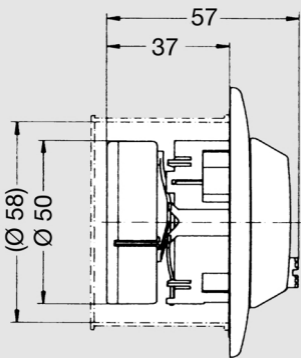
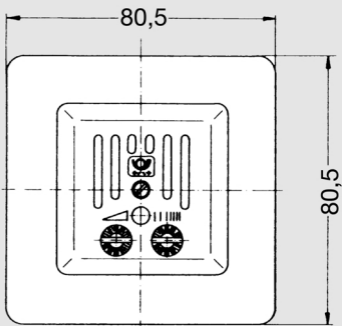
Wiring diagramm

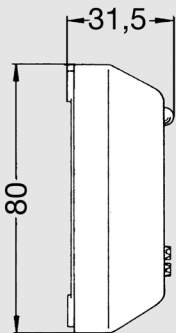
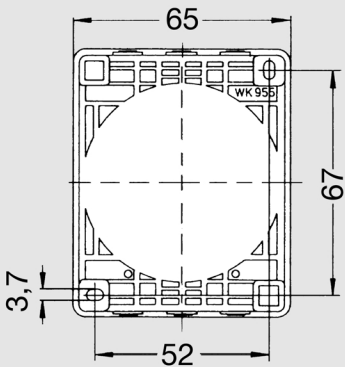


Order information

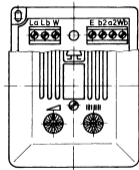
Type	Name	Version	Rated voltage	Article no.
TIW	Telephone Indoor Bell	Surface mounting	50 VAC 25/50 Hz	211 102 01
TIWE	Telephone Indoor Bell	Flush mounting (dia. 58=40 mm)	50 VAC 25/50 Hz	211 103 01
TIWS	Telephone Indoor Bell	Surface mounting incl. TAE socket	25–60 VAC 23/54 Hz	211 102 12
TIWES	Telephone Indoor Bell	Flush mounting (dia. 58=40 mm) incl. TAE socket	25–60 VAC 23/54 Hz	211 103 12



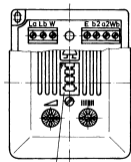
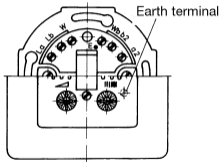




Surface mounting version

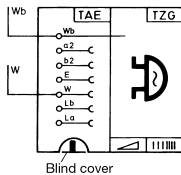


Flush mounting version

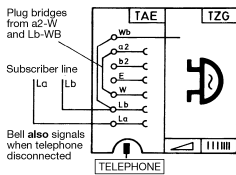


Blind cover removed

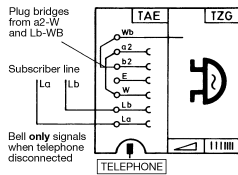
Telephone indoor bell



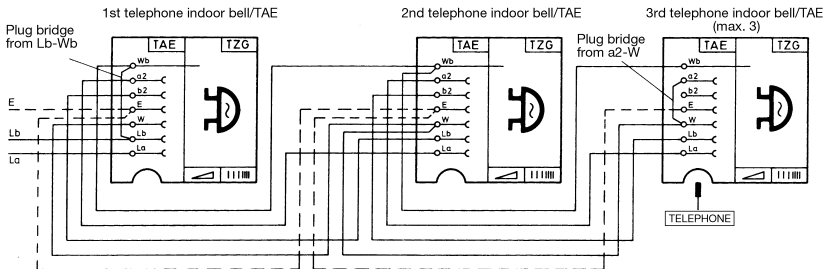
Connection of single device



Connection of single device



Connection of multiple devices



Connection of multiple devices

